



reddot award 2015  
winner





red dot award 2015  
winner



red dot 21  
world of design



EUREKA



tall, dark  
& handsome

EUREKA

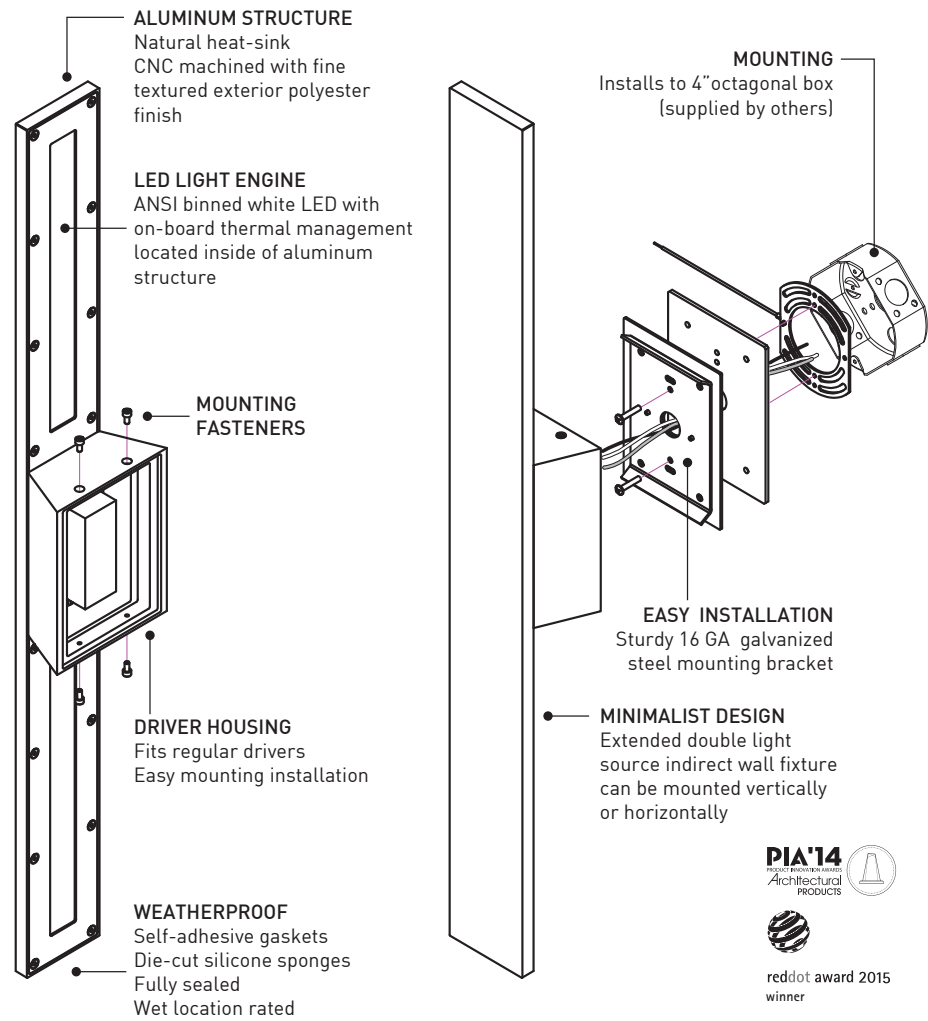
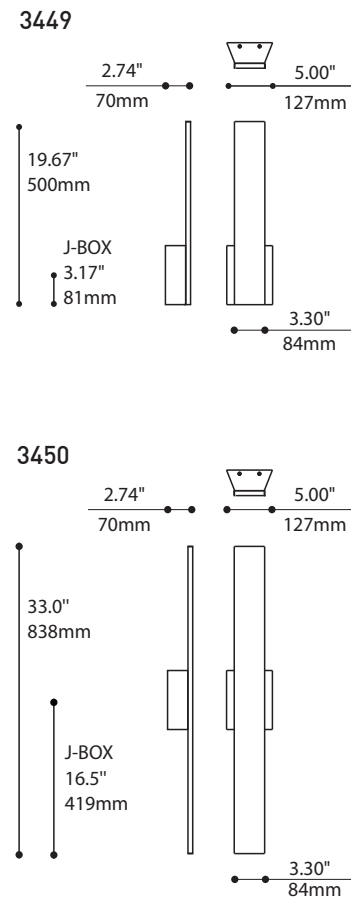


# TECHNICAL DATA



DESIGNED FOR  
CONÇU POUR **IP65**

CONTACT EUREKA FOR MORE INFORMATION  
CONTACTEZ EUREKA POUR PLUS D'INFORMATIONS

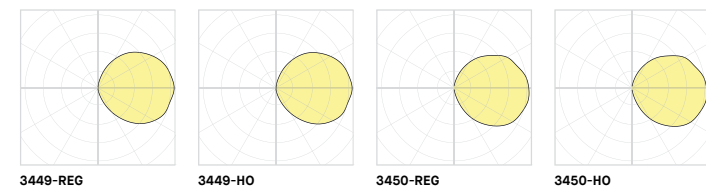


PRODUCT SPECIFICATION	3449 - REG	3449 - HO	3450 - REG	3450 - HO
<b>PERFORMANCE</b>				
SYSTEM WATTAGE	4.9 W	7.3 W	9.9 W	14.6 W
DELIVERED LUMENS (4000K)	394 LM	562 LM	787 LM	1124 LM
EFFICACY	80.4 LM/W	76.9 LM/W	79.5 LM/W	76.9 LM/W
<b>OTHER INFORMATIONS</b>				
LUMINAIRE'S WEIGHT	6.53LBS LBS / 2.97 KG	6.53LBS LBS / 2.97 KG	8.45 LBS LBS / 3.84 KG	8.45 LBS / 3.84 KG
L70 (LUMEN MAINTENANCE)	> 60 000 HRS	> 60 000 HRS	> 60 000 HRS	> 60 000 HRS

### EFFICACY MULTIPLIERS

CRI	CCT	FACTOR
80+	4000K	1.00
80+	3500K	0.98
80+	3000K	0.94
80+	2700K	0.91
90+	4000K	0.88
90+	3500K	0.85
90+	3000K	0.81
90+	2700K	0.77

### LIGHT DISTRIBUTION



Visit our website for warranty terms and conditions.



# PLATE OUT SINGLE 3449

PROJECT PROJÉT
SPEC TYPE
NOTES

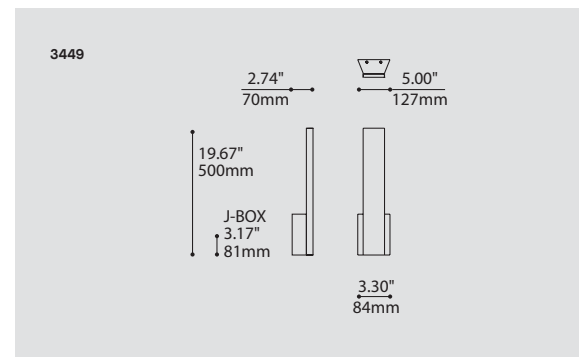


## OPTIONS



ANTE

BLKE



ORDERING SPECIFICATION	SPECIFICATION DE COMMANDE	CODE
<b>MODEL</b> MODÈLE		<b>3449</b>
3449	PLATE OUT SINGLE	
<b>LIGHT SOURCE</b> SOURCE LUMINEUSE		
(WATTAGE, LAMP TYPE, OTHER INFO)		
LED	REGULAR OUTPUT	
LED.HO	HIGH OUTPUT	
<b>COLOR TEMPERATURE</b> TEMPÉRATURE DE COULEUR		
27*	2700K	
30	3000K	
35	3500K	
40	4000K	
* LONGER LEAD TIME MAY APPLY, PLEASE CONTACT YOUR EUREKA REPRESENTATIVE		
<b>VOLTAGE</b> VOLTAGE		
120V	120 VOLT	
277V	277 VOLT	
<b>DIMMING OPTION</b> OPTION DE GRADATION		
DV	0-10V DIMMING (120-277V)	
<b>HOUSING</b> BOITIER		
WHE	WHITE FINE TEXTURE	
ANTE	ANTHRACITE FINE TEXTURE	
BLKE	BLACK FINE TEXTURE	

## PRODUCT CHARACTERISTICS CARACTÉRISTIQUES DU PRODUIT



<b>DESIGN:</b>	Designed for use in corridors and public areas, these wall mounted indirect luminaires are outdoor versions of our Plate and are built to be rugged and withstand the elements. They are available in a classic simple version or with the extended double light source version. Both are ADA compliant and can be used indoors.
<b>LIGHT SOURCE:</b>	Linear LED strip with self-modulating temperature control for an optimal performance and lifetime. Available with standard 0-10V dimming.
<b>CONSTRUCTION:</b>	CNC machined aluminum, die-stamped galvanized steel and four levels of die-cut silicone gaskets for secure weather resistance.
<b>DIFFUSER:</b>	Translucent frosted acrylic.
<b>CERTIFIED:</b>	CSA Listed to US and Canadian safety standards; 25°C ambient and wet-locations. IP65 rated
<b>CONCEPTION:</b>	Conçues pour être utilisées dans les couloirs et espaces publics, ces appliques murales à éclairage indirect sont des versions extérieures de notre Plate et sont conçues pour être robustes et résister aux intempéries. Elles sont offertes en version simple et en version étendue avec source lumineuse doublée. Elles sont conformes à la norme ADA et peuvent être installées à l'intérieur.
<b>SOURCE LUMINEUSE:</b>	Bande lumineuse DEL avec autocontrôle de température pour une performance et durée de vie optimale. Offert avec gradation standard 0-10V.
<b>CONSTRUCTION:</b>	Aluminium usiné par contrôle numérique, acier galvanisé découpé et plié avec les joints d'étanchéité en silicone comprimé pour résister aux intempéries.
<b>DIFFUSEUR:</b>	Acrylique givré translucide.
<b>CERTIFIÉ:</b>	Homologué CSA aux standards UL Canada et É.-U. - Température ambiante 25°C et emplacements mouillés. Conforme à la norme IP65

# PLATE OUT DOUBLE 3450

PROJECT PROJÉT
SPEC TYPE
NOTES

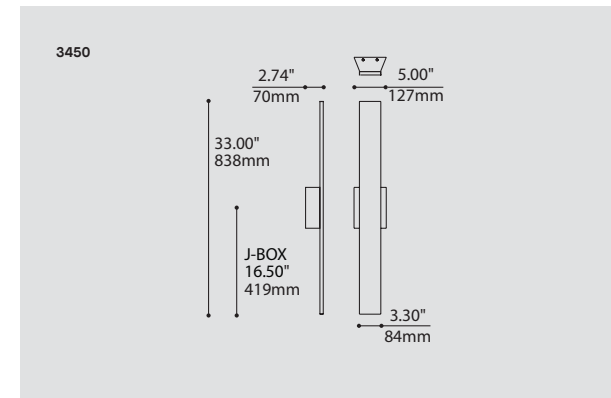


## OPTIONS



WHE

BLKE



ORDERING SPECIFICATION	SPECIFICATION DE COMMANDE	CODE
<b>MODEL</b> MODÈLE		<b>3450</b>
3450	PLATE OUT DOUBLE	
<b>LIGHT SOURCE</b> SOURCE LUMINEUSE		
(WATTAGE, LAMP TYPE, OTHER INFO)		
LED	REGULAR OUTPUT	
LED.HO	HIGH OUTPUT	
<b>COLOR TEMPERATURE</b> TEMPÉRATURE DE COULEUR		
27*	2700K	
30	3000K	
35	3500K	
40	4000K	
* LONGER LEAD TIME MAY APPLY, PLEASE CONTACT YOUR EUREKA REPRESENTATIVE		
<b>VOLTAGE</b> VOLTAGE		
120V	120 VOLT	
277V	277 VOLT	
<b>DIMMING OPTION</b> OPTION DE GRADATION		
DV	0-10V DIMMING (120-277V)	
<b>HOUSING</b> BOITIER		
WHE	WHITE FINE TEXTURE	
ANTE	ANTHRACITE FINE TEXTURE	
BLKE	BLACK FINE TEXTURE	

## PRODUCT CHARACTERISTICS CARACTÉRISTIQUES DU PRODUIT

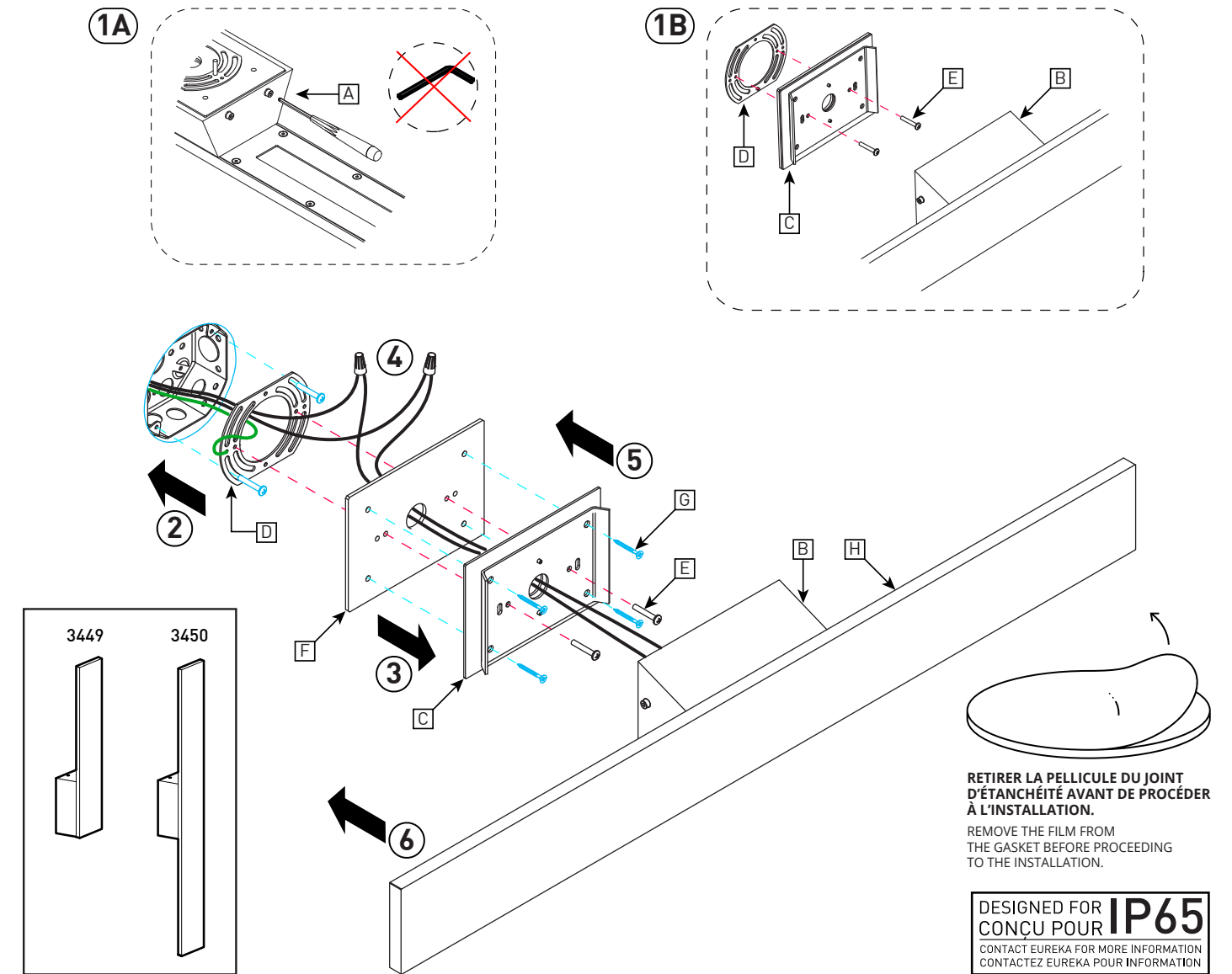


<b>DESIGN:</b>	Designed for use in corridors and public areas, these wall mounted indirect luminaires are outdoor versions of our Plate and are built to be rugged and withstand the elements. They are available in a classic simple version or with the extended double light source version. Both are ADA compliant and can be used indoors.
<b>LIGHT SOURCE:</b>	Linear LED strip with self-modulating temperature control for an optimal performance and lifetime. Available with standard 0-10V dimming.
<b>CONSTRUCTION:</b>	CNC machined aluminum, die-stamped galvanized steel and four levels of die-cut silicone gaskets for secure weather resistance.
<b>DIFFUSER:</b>	Translucent frosted acrylic.
<b>CERTIFIED:</b>	CSA Listed to US and Canadian safety standards; 25°C ambient and wet-locations. IP65 rated
<b>CONCEPTION:</b>	Conçues pour être utilisées dans les couloirs et espaces publics, ces appliques murales à éclairage indirect sont des versions extérieures de notre Plate et sont conçues pour être robustes et résister aux intempéries. Elles sont offertes en version simple et en version étendue avec source lumineuse doublée. Elles sont conformes à la norme ADA et peuvent être installées à l'intérieur.
<b>SOURCE LUMINEUSE:</b>	Bande lumineuse DEL avec autocontrôle de température pour une performance et durée de vie optimale. Offert avec gradation standard 0-10V.
<b>CONSTRUCTION:</b>	Aluminium usiné par contrôle numérique, acier galvanisé découpé et plié avec les joints d'étanchéité en silicone comprimé pour résister aux intempéries.
<b>DIFFUSEUR:</b>	Acrylique givré translucide.
<b>CERTIFIÉ:</b>	Homologué CSA aux standards UL Canada et É.-U. - Température ambiante 25°C et emplacements mouillés. Conforme à la norme IP65





# Installation



## INSTALLATION

1- UNTIGHTEN THE (4) SCREWS M4 [A] USING 3mm HEX SCREWDRIVER (BY OTHERS). FREE THE HOUSING [B] & PLATE ASSEMBLY [C] FROM THE UNIVERSAL PLATE [D] BY REMOVING THE (2) MOUNTING SCREWS #8-32 [E].

2- INSTALL THE UNIVERSAL PLATE [D] WITH TWO #8-32 SCREWS (NOT SUPPLIED) & GROUND THE GREEN WIRE TO THE JUNCTION BOX.

3- FOR INSTALLATION IN A WET ENVIRONMENT, AFFIX THE SILICONE GASKET [F] TO BACK OF THE PLATE [C]. IF NECESSARY, SEAL THE FIXTURE WITH A BEAD OF CLEAR SILICONE ALL AROUND THE PLATE [C].

4- CONNECT THE FIXTURE USING 2 WIRE NUTS (NOT SUPPLIED) FOLLOWING THE INDICATIONS ON THE ELECTRONIC DRIVER. IMPORTANT: DO NOT ALTER THE CONNECTIONS INSIDE THE FIXTURE.

5- FIX THE MOUNTING PLATE [C] TO THE UNIVERSAL BAR [D] USING THE TWO #8-32 SCREWS [E]. FIX THE (4) MOUNTING SCREWS #8 [G] (NOT SUPPLIED) TO THE WALL.

6- ALIGN STRUCTURE [H] & PLACE IT OVER THE PLATE [C]. TIGHTEN THE (4) M4 SCREWS [A] USING 3mm HEX SCREWDRIVER (BY OTHERS).

## INSTALLATION

1- DESSERRER LES (4) VIS M4 [A] EN UTILISANT LE TOURNEVIS HEX 3mm (NON-INCLUSE). ENLEVER L'ASSEMBLAGE DE LA PLAQUE [C] DU BOÎTIER [B] ET DE LA PLAQUE UNIVERSELLE [D] GRÂCE AUX (2) VIS DE MONTAGE #8-32 [E].

2- INSTALLER LA PLAQUE UNIVERSELLE [D] AVEC DEUX VIS #8-32 (NON INCLUSES) ET FIXER LE FIL VERT À LA BOÎTE DE CONNECTION.

3- POUR UNE INSTALLATION DANS UN ENVIRONNEMENT MOUILLÉ, COLLER LE JOINT D'ÉTANCHÉITÉ [F] À L'ENDOS DE LA PLAQUE [C]. SI NÉCESSAIRE, SCELLER LA FIXTURE AVEC UN JOINT DE SILICONE AUTOUR DE LA PLAQUE [C].

4- CONNECTER LES FILS DU LUMINAIRE À L'AIDE DE DEUX CONNECTEURS (NON INCLUS) EN RESPECTANT LES INDICATIONS INSCRITES SUR L'ÉTIQUETTE DU PILOTE. IMPORTANT: NE PAS MODIFIER LES CONNECTIONS À L'INTÉRIEUR DU LUMINAIRE.

5- FIXER LA PLAQUE [C] À LA PLAQUE UNIVERSELLE [D] À L'AIDE DES 2 VIS #8-32 [E]. ENSUITE FIXER LES (4) VIS DE MONTAGE #8 [G] (NON INCLUSES) AU MUR.

6- ALIGNER LA STRUCTURE [H] PAR RAPPORT À LA PLAQUE [C] SUR LE MUR. SERRER LA STRUCTURE AVEC LES (4) VIS DE M4 [A] EN UTILISANT LE TOURNEVIS HEX 3mm (NON-INCLUSE).

RETIRER LA PELLICULE DU JOINT D'ÉTANCHÉITÉ AVANT DE PROCÉDER À L'INSTALLATION.  
REMOVE THE FILM FROM THE GASKET BEFORE PROCEEDING TO THE INSTALLATION.

DESIGNED FOR  
CONÇU POUR IP65  
CONTACT EUREKA FOR MORE INFORMATION  
CONTACTEZ EUREKA POUR INFORMATION



# Photometric Report

## 3449-LED.40

CCT (K): 4000  
 Delivered Lumens (lm): 394  
 System wattage (W)\*: 4.9  
 Distribution: Indirect  
 Delivered Efficacy (lm/W): 80.4  
 Photometric type: C

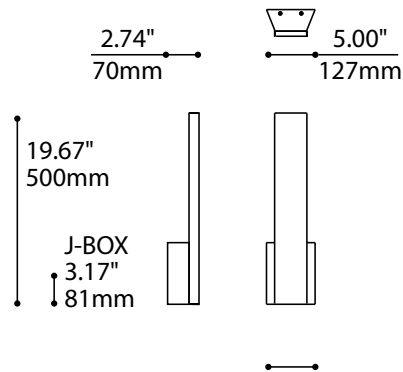
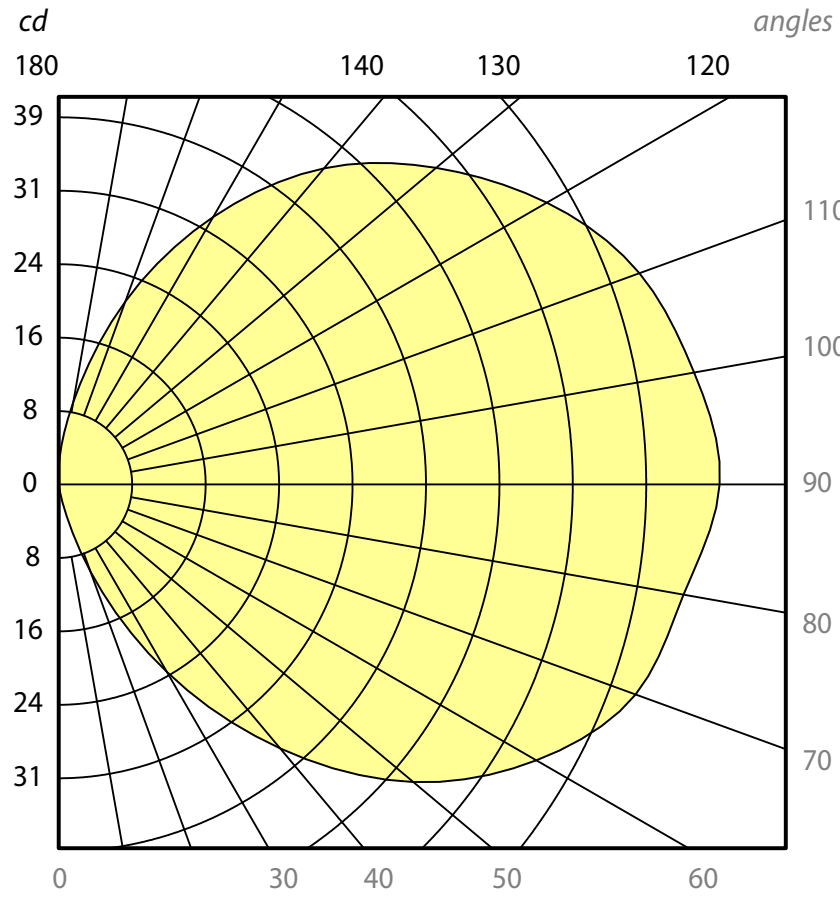
### Luminous dimensions

Luminous shape: Rectangle  
 Units: in (mm)  
 0-180 Axis: 4.8 (122)  
 90-270 Axis: 2.4 (61)  
 Height: 32.4 (823)

### Luminaire spacing criteria

2 luminaires, plane 0: 1.36  
 2 luminaires, plane 90: 22.86  
 4 luminaires: 16.16

\*System wattage includes driver and LED modules consumption



# Photometric Report

## 3449-LED.40HO

CCT (K): 4000  
 Delivered Lumens (lm): 562  
 System wattage (W)\*: 7.3  
 Distribution: Indirect  
 Delivered Efficacy (lm/W): 77  
 Photometric type: C

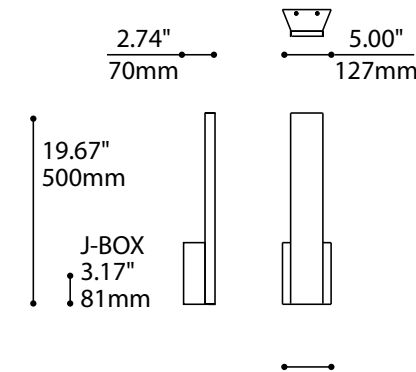
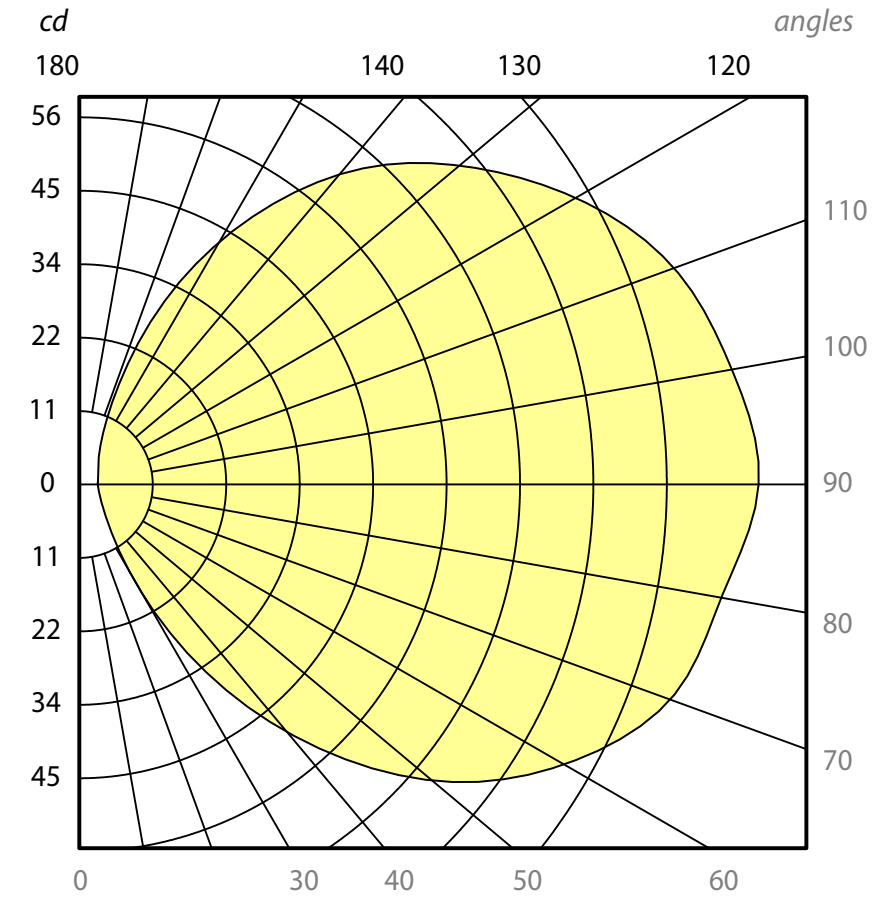
### Luminous dimensions

Luminous shape: Rectangle  
 Units: in (mm)  
 0-180 Axis: 4.8 (122)  
 90-270 Axis: 2.4 (61)  
 Height: 32.4 (823)

### Luminaire spacing criteria

2 luminaires, plane 0: 2.91  
 2 luminaires, plane 90: 22.86  
 4 luminaires: 16.16

\*System wattage includes driver and LED modules consumption



This photometric report has been generated using methods recommended by the IESNA. Calculations are based on simulated photometric data and can change without notice. End-user environment and application (including, but not limited to, voltage variation and dirt accumulation) can cause actual photometric performance to differ from the performance calculated using the data provided by the manufacturer. In no event will Eureka Lighting be responsible for any loss resulting from any use of this report.

This photometric report has been generated using methods recommended by the IESNA. Calculations are based on simulated photometric data and can change without notice. End-user environment and application (including, but not limited to, voltage variation and dirt accumulation) can cause actual photometric performance to differ from the performance calculated using the data provided by the manufacturer. In no event will Eureka Lighting be responsible for any loss resulting from any use of this report.

# Photometric Report

## 3450-2xLED.40

CCT (K): 4000  
 Delivered Lumens (lm): 787  
 System wattage (W)\*: 9.9  
 Distribution: Direct towards wall  
 Delivered Efficacy (lm/W): 79.5  
 Photometric type: C

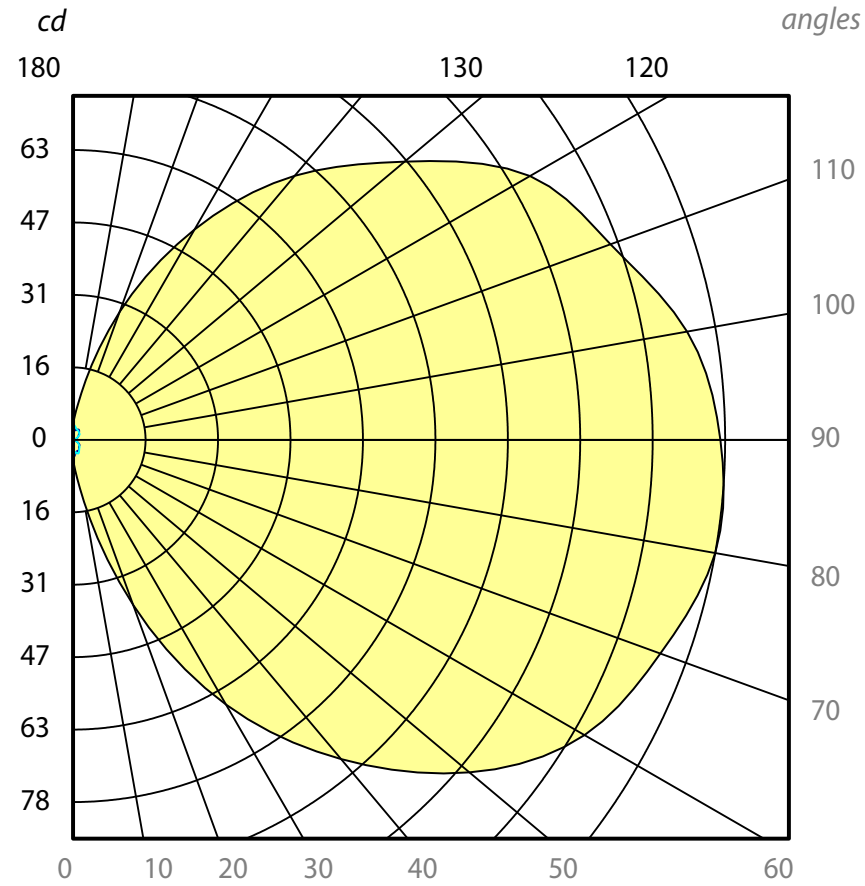
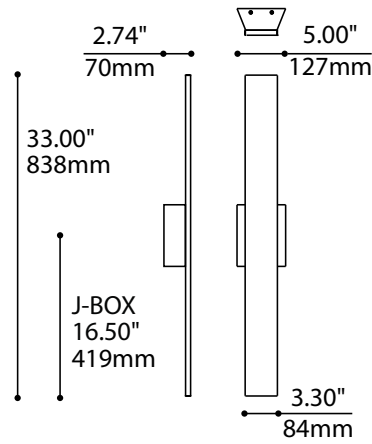
### Luminous dimensions

Luminous shape: Rectangle  
 Units: in (mm)  
 0-180 Axis: 4.8 (122)  
 90-270 Axis: 2.4 (61)  
 Height: 32.4 (823)

### Luminaire spacing criteria

2 luminaires, plane 0: 0.81  
 2 luminaires, plane 90: 7.88  
 4 luminaires: 6.13

\*System wattage includes driver and LED modules consumption



—— 0 - 180  
 - - - - 90 - 270

# Photometric Report

## 3450-2xLED.40HO

CCT (K): 4000  
 Delivered Lumens (lm): 1124  
 System wattage (W)\*: 14.6  
 Distribution: Direct towards wall  
 Delivered Efficacy (lm/W): 77  
 Photometric type: C

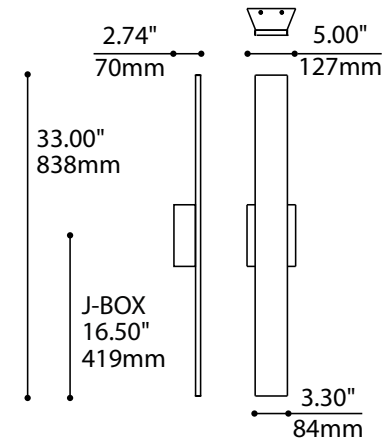
### Luminous dimensions

Luminous shape: Rectangle  
 Units: in (mm)  
 0-180 Axis: 4.8 (122)  
 90-270 Axis: 2.4 (61)  
 Height: 32.4 (823)

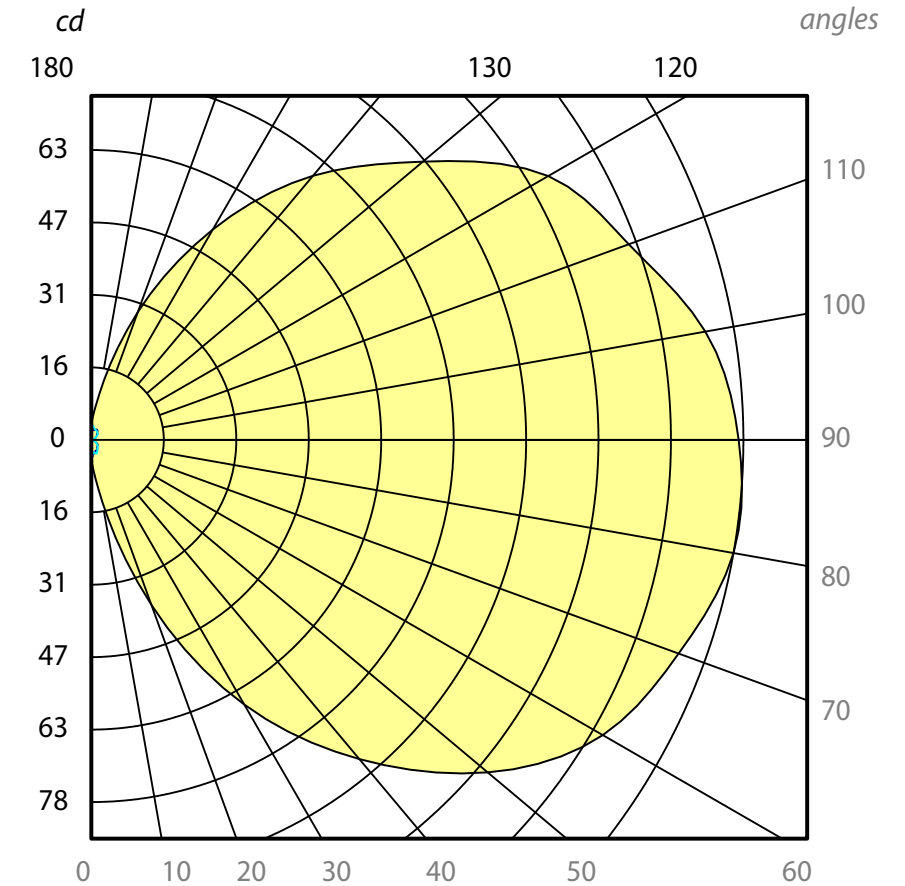
### Luminaire spacing criteria

2 luminaires, plane 0: 0.66  
 2 luminaires, plane 90: 7.60  
 4 luminaires: 6.01

\*System wattage includes driver and LED modules consumption



—— 0 - 180  
 - - - - 90 - 270



This photometric report has been generated using methods recommended by the IESNA. Calculations are based on simulated photometric data and can change without notice. End-user environment and application (including, but not limited to, voltage variation and dirt accumulation) can cause actual photometric performance to differ from the performance calculated using the data provided by the manufacturer. In no event will Eureka Lighting be responsible for any loss resulting from any use of this report.

This photometric report has been generated using methods recommended by the IESNA. Calculations are based on simulated photometric data and can change without notice. End-user environment and application (including, but not limited to, voltage variation and dirt accumulation) can cause actual photometric performance to differ from the performance calculated using the data provided by the manufacturer. In no event will Eureka Lighting be responsible for any loss resulting from any use of this report.



